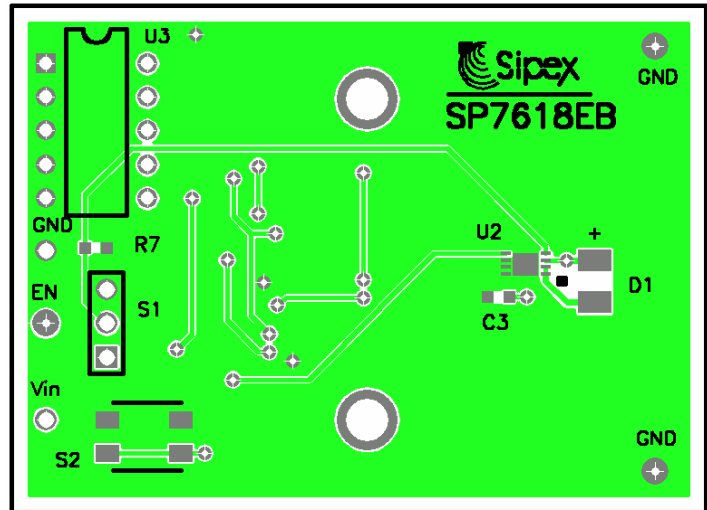


Evaluation Board Manual

- Very low dropout voltage, 100mV
- Accurate current regulation down to dropout voltage
- No external components
- Output current adjustable with 33.33mA/steps
- Power-saving shutdown mode of 12nA typical
- Fast turn-on (<50µS)
- Time Out function to protect the LED
- Thermal Shutdown Protection
- Space saving 2mm x 3mm 8 pin DFN package



DESCRIPTION AND BOARD SCHEMATIC

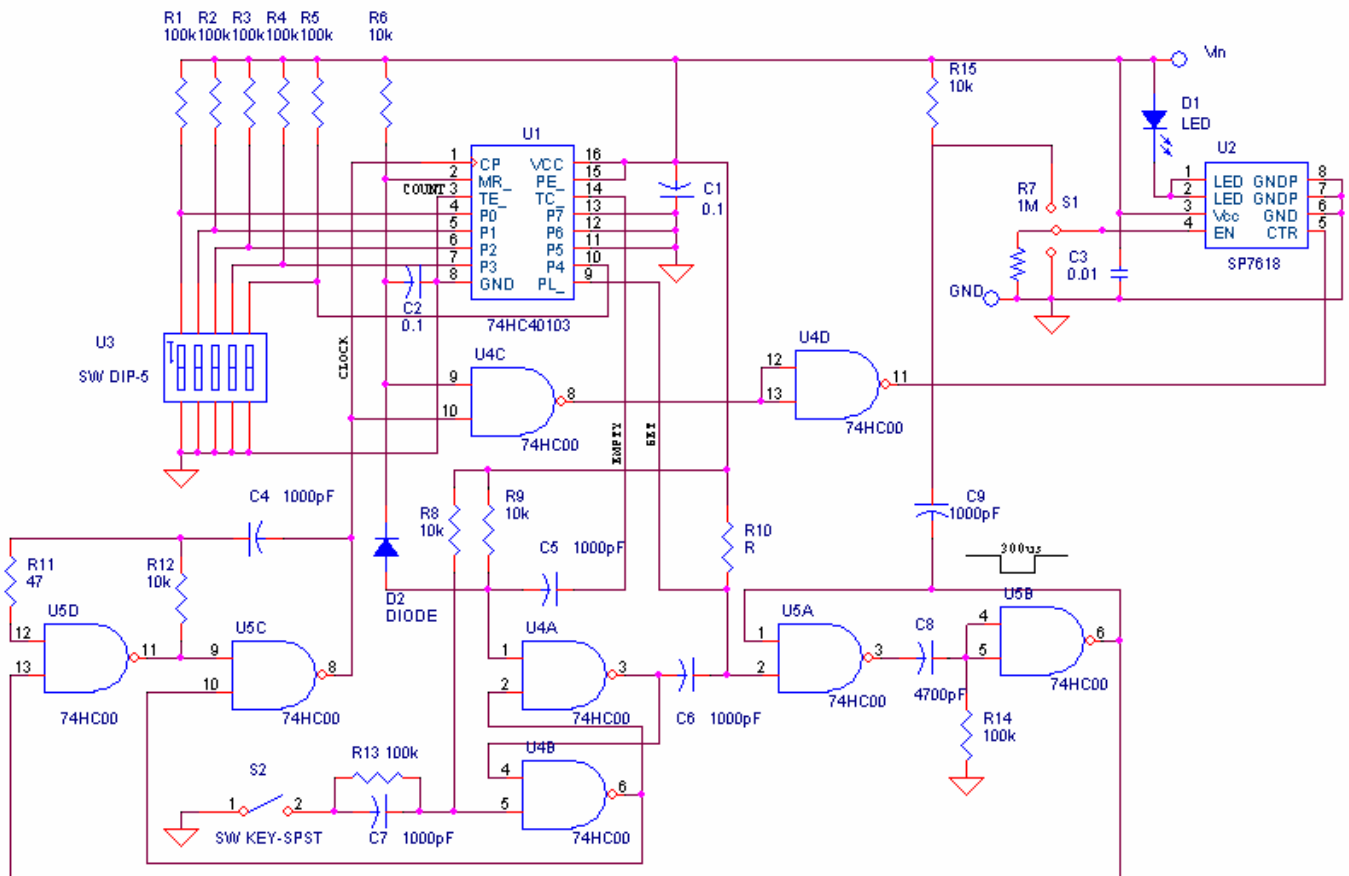


Figure 1. SP7618 Evaluation Board Schematic Diagram

The **SP7618 Evaluation Board** is designed to help the user evaluate the performance of the SP7618 for use as a single photo flash Luxeon LED Driver. The evaluation board is a completely assembled and tested surface mount board which provides easy probe access points to all SP7618 inputs and outputs so that the user can quickly connect and measure electrical characteristics and waveforms. The Evaluation Board schematic diagram is shown at Figure 1.

The SP7618 is a linear low side constant current driver designed to drive high power LEDs from an input voltage rail. The driver acts as a high current source ensuring constant LED current for a range of input voltage. The SP7618 allows implementing the lowest cost LED driver for a variety of applications. Internal circuitry maintains the preset constant current output for a wide voltage range at the LED input.

The LED current can be adjusted up to 1033mA with an external clock applied to the CTRL pin. The built-in thermal protection automatically stops LED current to prevent overheating. A timeout function serves as a fail safe, shutting down the output for currents greater than 266mA after 4 seconds of continuous operation if the enable input is not cycled. The part can be shutdown by using the EN pin or holding the CTRL pin low for more than 100 μ S.

The evaluation board contains SP7618 driver (U2) with one Luxeon Flash LED as a load (D1) and pulse generator.

The pulse generator (U1, U4, and U5) is used to provide a pulse sequence to the driver's CTRL and EN pins to set LED current and turn the driver on/off. The number of pulses that determines LED current may be set by 5-bit dip-switch (U3) using binary code. The number of pulses depend on switch position is shown on Table 1.

USING THE EVALUATION BOARD

1) Selecting the LED current

LED current can be adjusted up to 1033mA with a series of pulses applied to the CTRL pin. Each pulse increases the output current in steps of 33.33mA. The maximum number of the pulses is 31. The 32nd and following pulses are ignored. The number of pulses depends on the switch position as shown on Table 1, which is on the next page.

Number of pulses	Position of DIP-Switches				
	1	2	3	4	5
1	+	+	+	+	
2	+	+	+		+
3	+	+	+		
4	+	+		+	+
5	+	+		+	
6	+	+			+
7	+	+			
8	+		+	+	+
9	+		+	+	
10	+		+		+
11	+		+		
12	+			+	+
13	+			+	
14	+				+
15	+				
16		+	+	+	+
17		+	+	+	
18		+	+		+
19		+	+		
20		+		+	+
21		+		+	
22		+			+
23		+			
24			+	+	+
25			+	+	
26			+		+
27			+		
28				+	+
29				+	
30					+
31					

Table 1. Code Table

Note: "+"- this switch is in ON position
 If all switches are in ON position the number of pulses is 256.

2) Powering Up the SP7618 Circuit

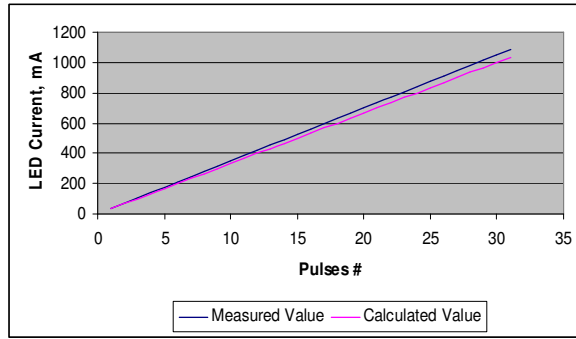
The SP7618 Evaluation Board can be powered from a 4.5V power supply or from 3 alkaline cells.

Connect 4.5V source pin with short lead directly to the "Vin" and -4.5V/GND pin to the "GND" posts.

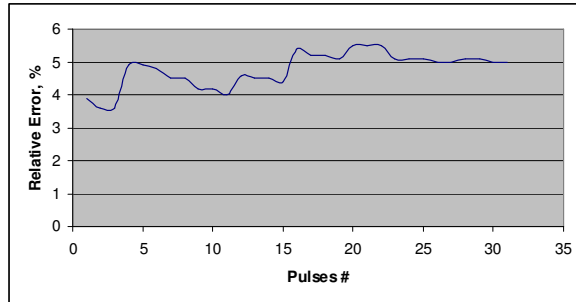
Install shunt S1 to short pins 2-3 (The Evaluation board is delivered by default with shunt in this position. If shunt S1 isn't installed or short pins 1-2 the driver SP7618 is disabled).

Push the button S2. Driver (U2) will provide to the LED current in respect to dip-switch (U3) position. If the output current is higher than 266mA (8 pulses), the driver will turn off after 4s to prevent LED damage. Every push on button S2 turns the driver off/on and sends the CTRL pin a new pulse sequence depending on the dip-switch position.

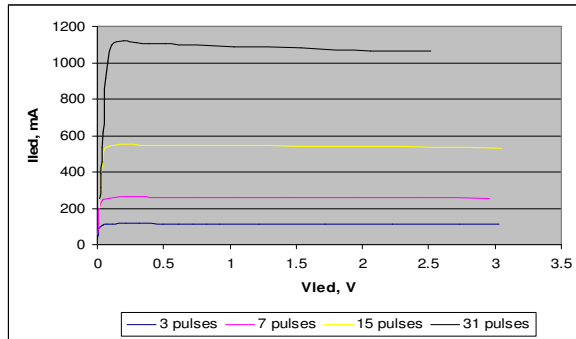
Disconnect Evaluation board from power supply to turn it off.



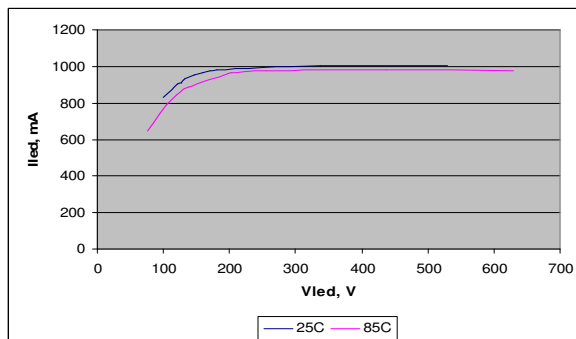
Graph 1. LED Current vs. number of input pulses



Graph 2. LED Current Relative Error vs. number of input pulses



Graph 3. Load regulation at Vin = 5.5V



Graph 4. Load regulation at 25°C and 85°C

EVALUATION BOARD LAYOUT

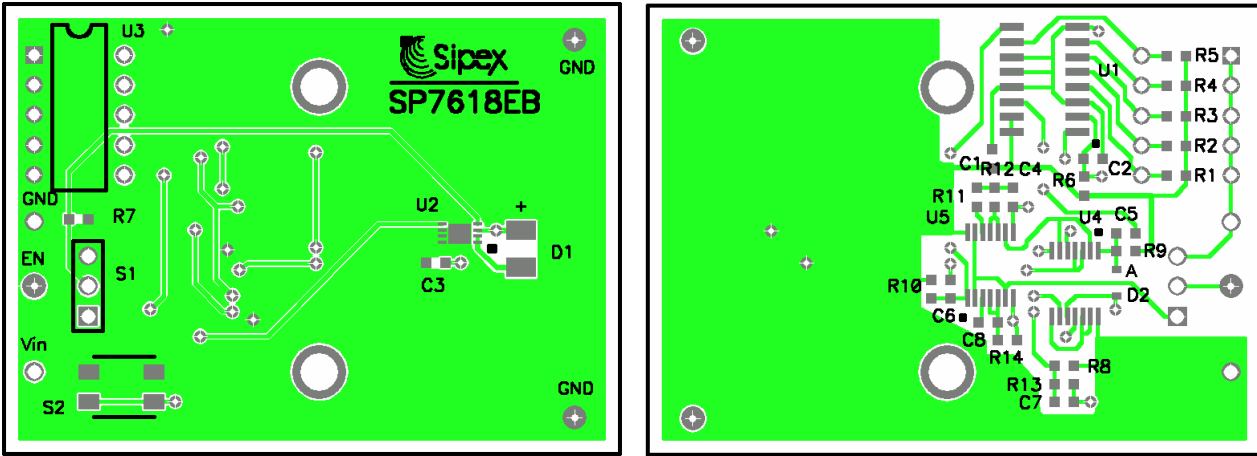


Figure 2. SP7618 Evaluation Board Layout top and bottom side

Count	Reference Designator	Value	Description
2	C1, C2	0.1uF	0603ZC104MAT AVX
2	C3	0.01uF	06033C103MAT2A AVX
5	C4, C5, C6, C7, C9	1000pF	06033C102MAT2A AVX
1	C8	4700pF	06033C472MAT2A AVX
1	D1		LXCL-PWF1 Lumileds
1	D2		BAT42WS Diodes Inc
1	P1	GND	1001-0-15-01-30-02-04-0 Mill-Max
1	P2	EN	1001-0-15-01-30-02-04-0 Mill-Max
1	P3	Vin	1001-0-15-01-30-02-04-0 Mill-Max
7	R1, R2, R3, R4, R5, R13, R14	100k	CRCW0603104J Vishay
5	R6, R8, R9, R10, R12	10k	CRCW0603102J Vishay
1	R7	1M	CRCW0603105J Vishay
1	R11	47	CRCW060347RJ Vishay
1	S1		Header 42375-22-28-4033 Molex
1	S2		7914 G-002-000E Bourns
1	U1		CD74HC40103M
1	U2		SP7618 Sipex
1	U3		5-bit DIP Switch
2	U4, U5		74VHC00MTC Fairchild

Table 2. SP7618EB List of Materials

ORDERING INFORMATION

Model	Temperature Range	Package Type
SP7618EB.....	-40°C to +85°C.....	SP7618 Evaluation Board
SP7618ER-L/TR.....	-40°C to +85°C.....	Lead Free 8-pin DFN (2 x 3 mm)

/TR = Tape and Reel
Pack quantity is 3000 for DFN.

For further assistance:

Email: Sipexsupport@sipex.com
WWW Support page: <http://www.sipex.com/content.aspx?p=support>
Live Technical Chat: <http://www.geolink-group.com/sipex/>
Sipex Application Notes: <http://www.sipex.com/applicationNotes.aspx>



Sipex Corporation
Headquarters and
Sales Office
233 South Hillview Drive
Milpitas, CA95035
tel: (408) 934-7500
fax: (408) 935-7600

Sipex Corporation reserves the right to make changes to any products described herein. Sipex does not assume any liability arising out of the application or use of any product or circuit described herein; neither does it convey any license under its patent rights nor the rights of others.